

# Height Gage

## ABSOLUTE Digimatic Height Gage SERIES 570 — with Ergonomic Base

- New standard model which features a prismatic column and offers excellent rigidity and accuracy.
- Allows smooth elevation by the slider adjustment wheel.
- **U-WAVE-T/TC/TCB** (wireless data transmitter) can be installed on the back of the display unit.



570-402



Equipped with **U-WAVE-T/TC/TCB**

Note: When attaching the **U-WAVE**, use commercially available double-sided tape, etc.

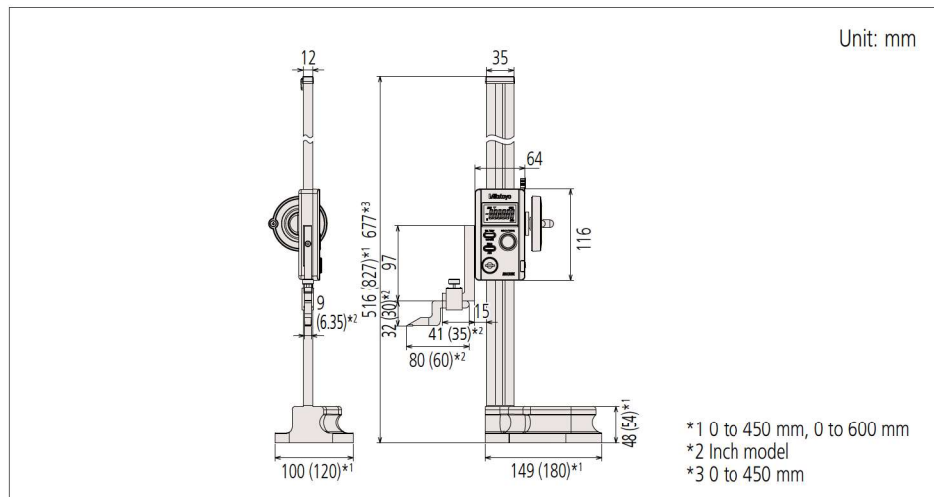
### SPECIFICATIONS

Metric					
Code No.	Range (mm)	Resolution (mm)	Maximum permissible error $E_{MPE}$ (mm)*	Response speed	Mass (kg)
570-402	0 - 300	0.01	±0.03	Unlimited	4.6
570-404	0 - 600		±0.05		6.4

Inch / Metric					
Code No.	Range	Resolution	Maximum permissible error $E_{MPE}$ *	Response speed	Mass (kg)
570-412	0 to 12 in/0 to 300 mm	0.0005 in/ 0.01 mm	±0.0015 in/±0.03 mm	Unlimited	4.6
570-413	0 to 18 in/0 to 450 mm		±0.0020 in/±0.05 mm		5.9
570-414	0 to 24 in/0 to 600 mm				6.4

- Power source: SR44 battery (1 pc.), **938882** included as standard (for operational checks)
- Battery life: Approx. 5 years
- Standard Accessories: Scriber clamp box **05GZA033**, Scriber **07GZA000**
- \* Maximum permissible error,  $E_{MPE}$  is the term (notation) used in JIS B 7517: 2018, revised based on ISO/TR 14253-6: 2012.

### DIMENSIONS



### Measurement example



### Functions

- **Origin-setting:**  
Any convenient reference surface, such as a surface plate, etc., can be stored as the ABSOLUTE origin point.
- **ABSOLUTE measurement:**  
After power is turned ON, measurement can be started without zero-setting if origin-setting was previously performed. ABSOLUTE origin position can be changed by ORIGIN button.
- **Incremental measurement:** Allows origin setting at any arbitrary position. In this case, the origin point is not stored after turning off the power.
- **Data hold**  
Display value can be held.
- **Data output:**  
Allows integration into statistical process control and measurement systems. (Refer to page 09-3.)
- **Low-voltage alert:**  
Low-voltage alert: If the battery voltage becomes low, a "B" appears in the display to alert the user before measurement is no longer possible so that the battery can be changed in good time.

### Optional Accessories

Code No.	Type	Description
264-020	—	USB Input Tool Series USB Keyboard Signal Conversion Type <b>IT-020U</b>
905338	F	Connection cable for <b>IT/DP/MUX</b> (1 m)
905409	F	Connection cable for <b>IT/DP/MUX</b> (2 m)
06AFM380F	F	USB Input Tool Direct (2 m)
02AZD730G	IP67	<b>U-WAVE-T</b>
02AZD880G	Buzzer	<b>U-WAVE-T</b>
02AZD790F	F	Connection cable for <b>U-WAVE-T</b> (160 mm)
264-620	IP67	<b>U-WAVE-TC</b>
264-621	Buzzer	<b>U-WAVE-TC</b>
264-624	IP67	<b>U-WAVE-TCB</b> Transmitter
264-625	Buzzer	<b>U-WAVE-TCB</b> Transmitter
902053	—	Clamp (with dovetail groove)*
953638	—	Holding bar*

\* For mounting test indicators, etc. (Refer to page 07-75 for details.)